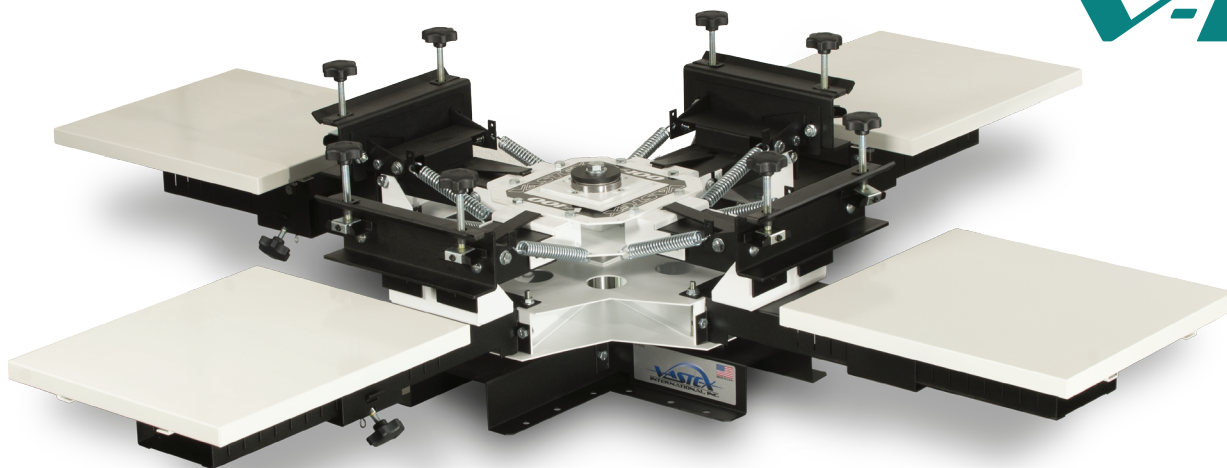


ENTRY LEVEL MANUAL SCREEN PRINTERS

V-100



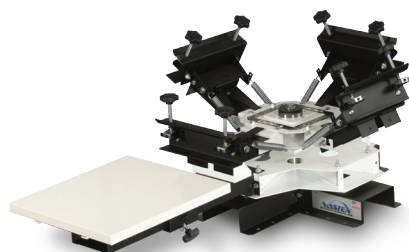
V100-44
4 Station/4 Color
Tabletop Press*



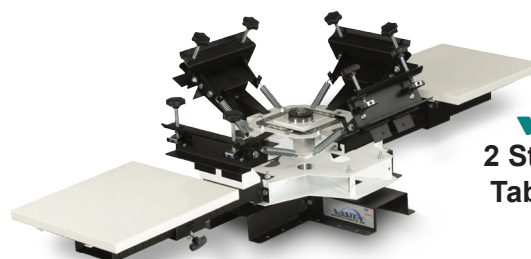
V100-11
1 Station/1 Color
Tabletop Press*

V-100 features

- VALUE** Quality at an entry level price
- LONG LASTING** Steel Pallets
- PRECISE** Holds accurate multicolor printing registration
- INNOVATIVE** Floating Head, 3 point bearing lock allows for all heads down
- ADJUSTABLE** Screen off contact and level adjustments
- VERSATILE** Available up to 4 table, 4 color (4x4)
- CAPACITY** Holds up to 21" x 28" (51 x 61 cm) screens
- GUARANTEED** 1 year warranty on manufacturer's defects
- SHIPS UPS** Ships UPS in multiple boxes with easy step by step instructions
- EXPANDABLE** From 1 table, 1 color (1x1) to 4 table, 4 color (4x4)



V100-14
1 Station/4 Color
Tabletop Press*



V100-24
2 Station/4 Color
Tabletop Press*

Optional Pallets

- V100P-1016 (Youth) - 10x16" (25x41cm)
- V100P-1620 (Oversized) - 16x20" (41x51cm)
- V100P-SLS416 (Sleeve) - 4"x16" (25x41cm)
- Pallet adapters, attachments and quick stretch available
- Pallet rubber with adhesive

Shipping V-100

	Dimensions	Weight
V-100 Center Hub	25" x 25" x 10" (64 x 64 x 26 cm)	69 lbs (31.3kg)
(1) Rotor Arm w/ Pallet	25" x 17" x 9" (64 x 44 x 23 cm)	23 lbs (10.5 kg)
(1) Print Head	13" x 13" x 10" (33 x 33 x 26 cm)	10 lbs (4.6 kg)

V100-44* w/ S-100*
4 station, 4 color shown with
optional S-100 stand



* Press comes unassembled with easy step by step assembly instructions.

